



# INSTALLATION INSTRUCTIONS

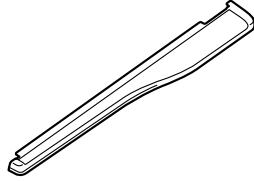
Accessory  
**SPORT RUNNING BOARDS**  
P/N 08L33-TX4-200

Application  
**2014 RDX**

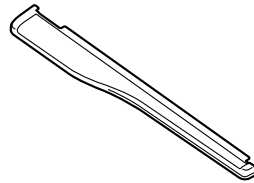
Publications No.  
**BII 48872**  
Issue Date  
**MARCH 2013**

## PARTS LIST

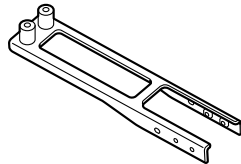
Left running board



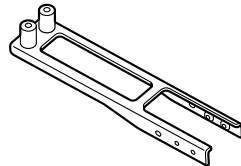
Right running board



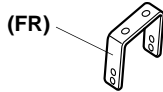
2 Brackets A



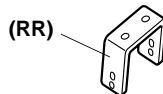
2 Brackets B



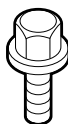
2 Brackets C



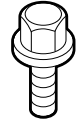
2 Brackets D



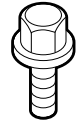
28 Flange bolts, 8 x 16 mm



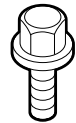
4 Flange bolts, 8 x 25 mm



4 Flange bolts, 8 x 45 mm



4 Flange bolts, 8 x 65 mm



8 Flange nuts



4 Collars



## TOOLS AND SUPPLIES REQUIRED

Ratchet

10 mm and 12 mm Sockets

Torque wrench

Drill

3 mm and 10 mm Drill bits

30 mm Hole saw

Blanket

Eye protection (safety goggles, face shield, etc.)

Pushpin

File

Ruler

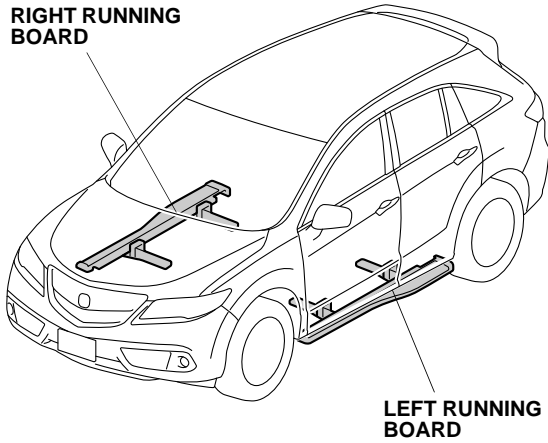
12 mm Open end wrench

*The following tools are available through the Honda Tool and Equipment Program. On the iN, click on: Service > Service Bay > Tool and Equipment Program, then enter the number under "Search". Or, call 888-424-6857.*

Air saw (T/N AT192A)

Plastic Trim Tool (T/N SILTRIMTL10)

**Illustration of the Sport Running Boards on the Vehicle**



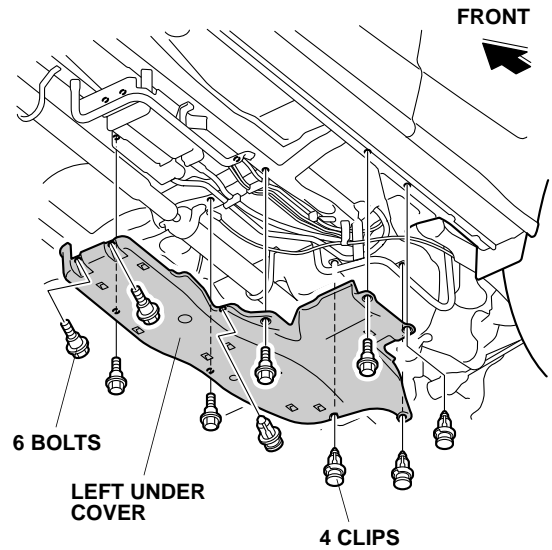
**INSTALLATION**

**Client Information:** The information in this installation instruction is intended for use only by skilled technicians who have the proper tools, equipment, and training to correctly and safely add equipment to your vehicle. These procedures should not be attempted by "do-it-yourselfers."

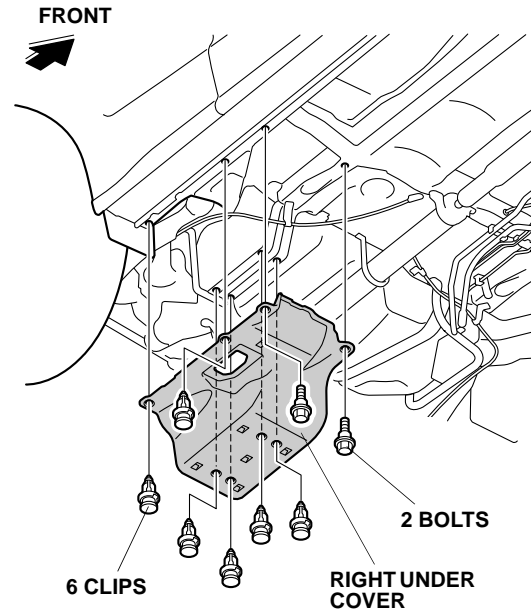
**NOTE:**

- Do not damage the paint finish.

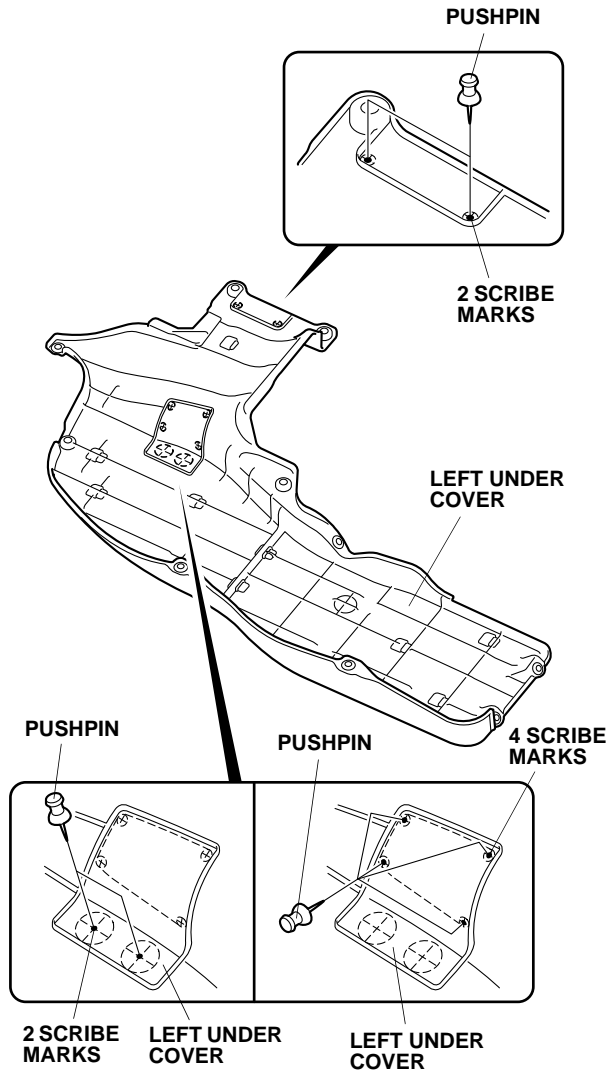
1. Raise the vehicle off the ground and support it as shown in the service manual.
2. Remove the left under cover (six bolts and four clips).



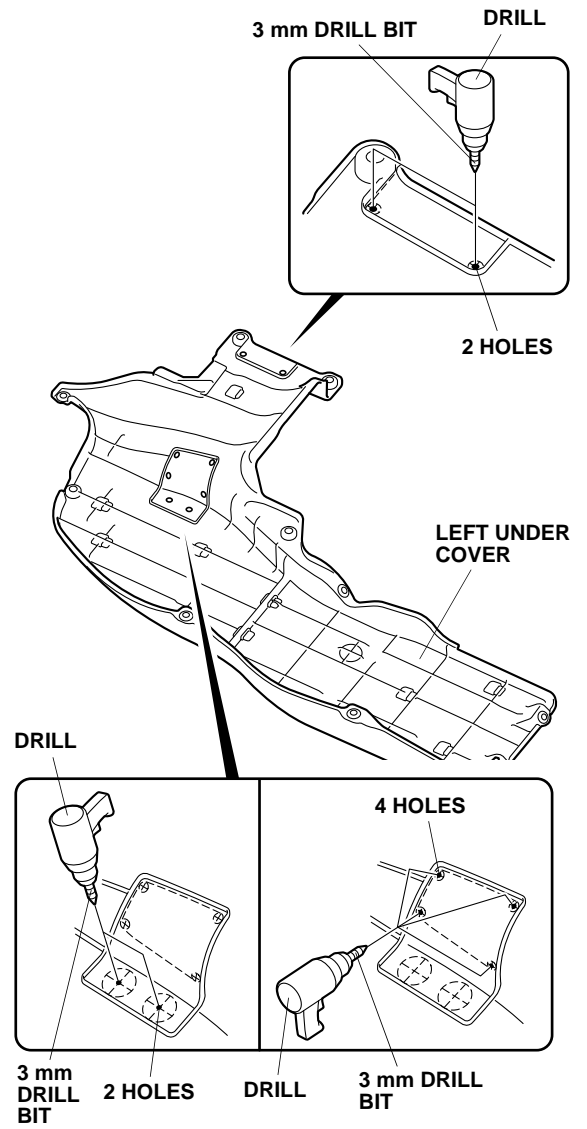
3. Remove the right under cover (two bolts and six clips).



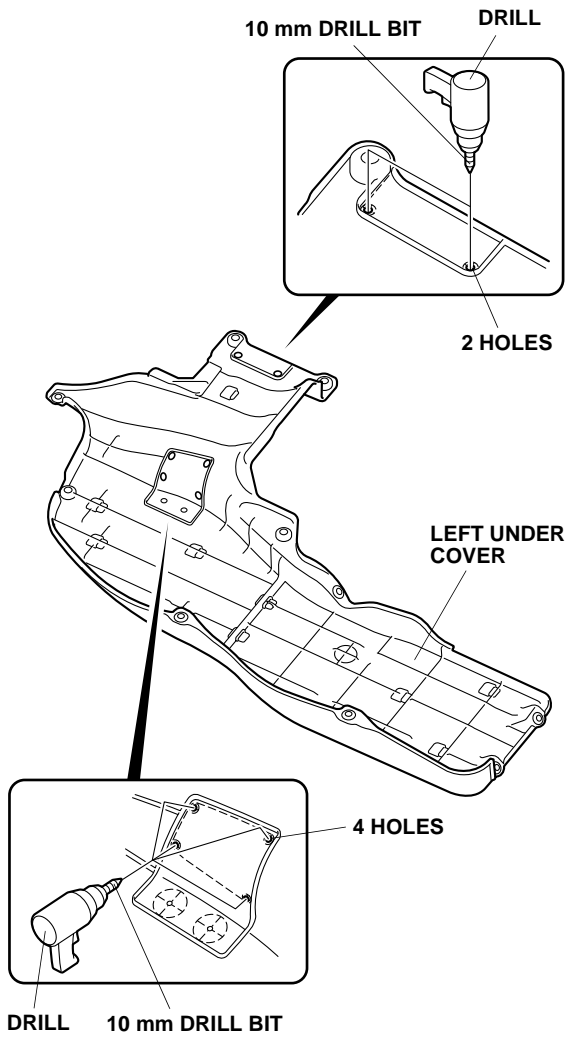
4. Using a pushpin, pierce eight scribe marks on the left under cover.



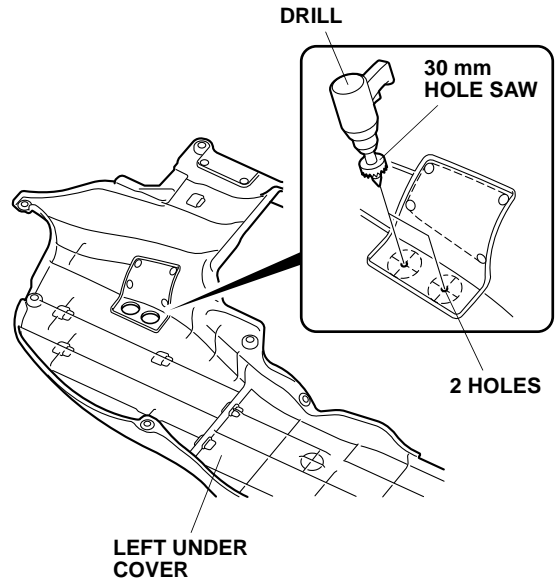
5. While wearing eye protection, drill the eight piercings in the left under cover with a 3 mm drill bit.



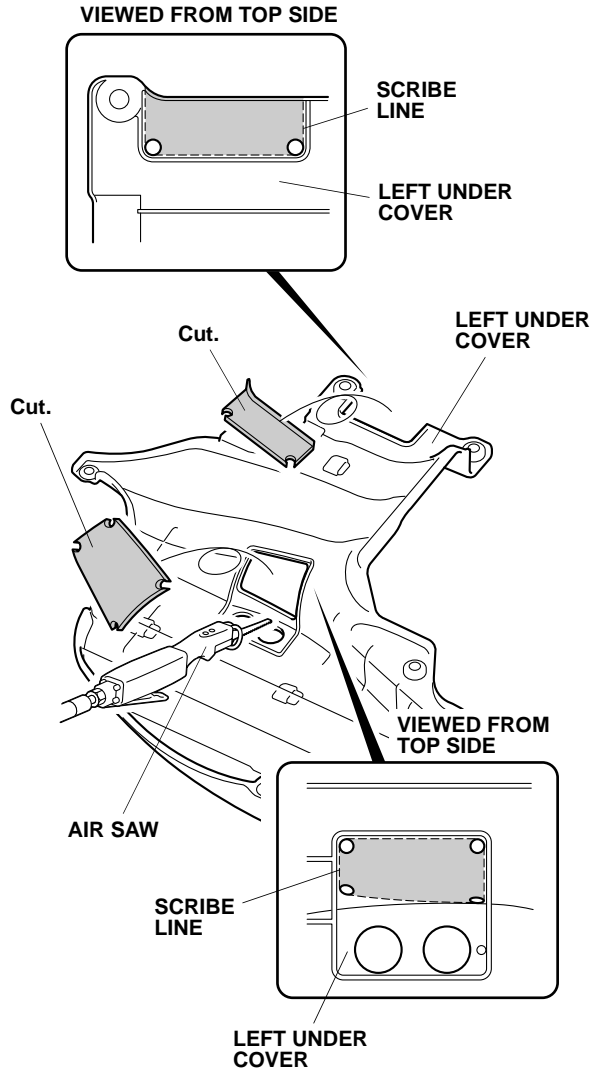
6. Enlarge six holes made in the left under cover in step 5 with a 10 mm drill bit.



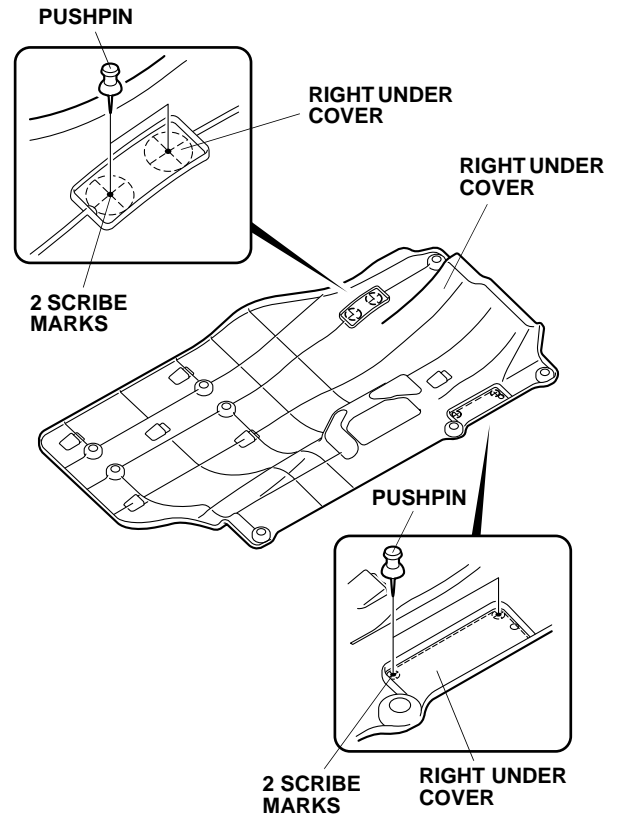
7. Enlarge two holes made in the left under cover in step 5 with a 30 mm hole saw. Remove any burrs.



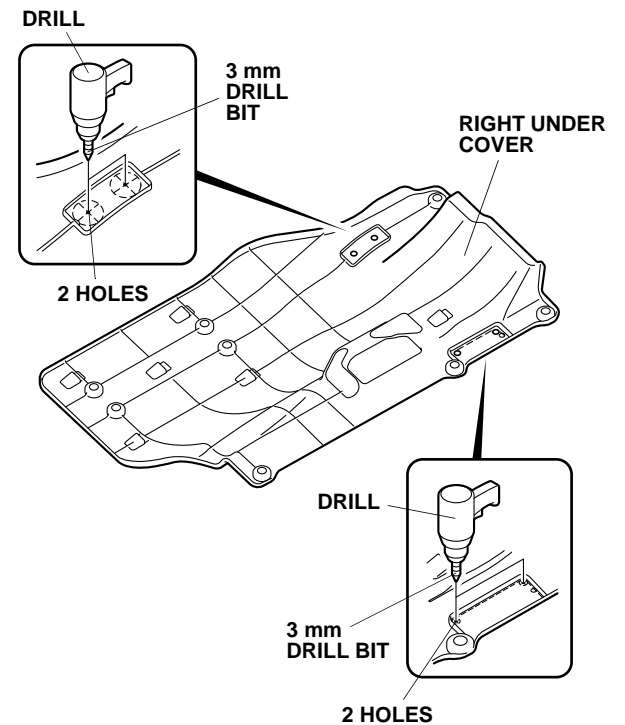
8. Using an air saw, cut along the scribe lines on the left under cover as shown. Remove any burrs.  
NOTE: Do not cut the rib.



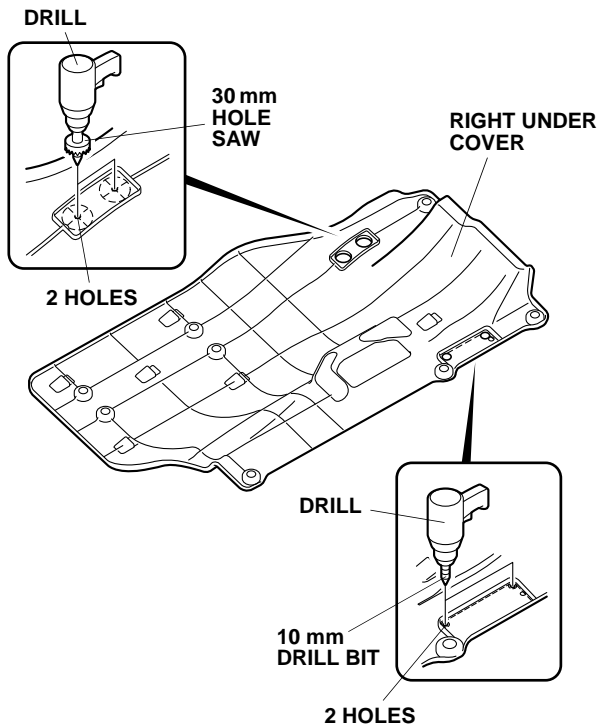
9. Using a pushpin, pierce four marks on the right under cover.



10. While wearing eye protection, drill the four piercings in the left under cover with a 3 mm drill bit.

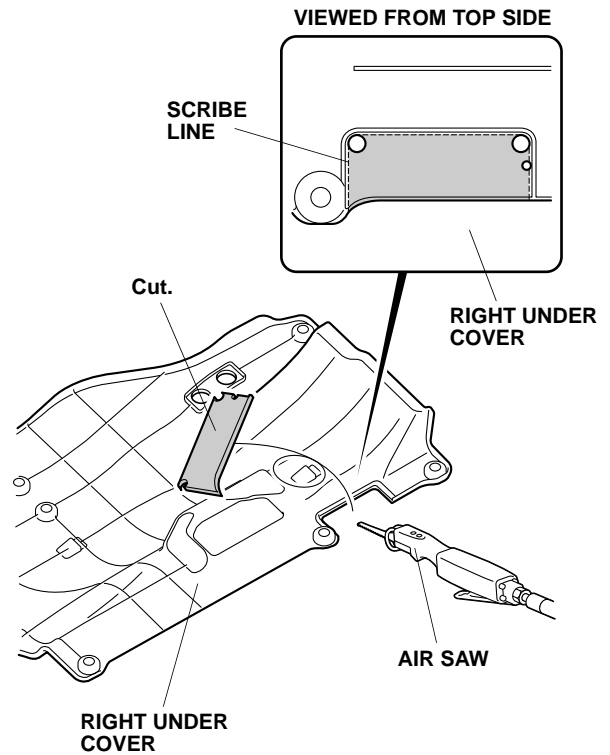


11. Enlarge two holes made in the right under cover in step 10 with a 10 mm drill bit.

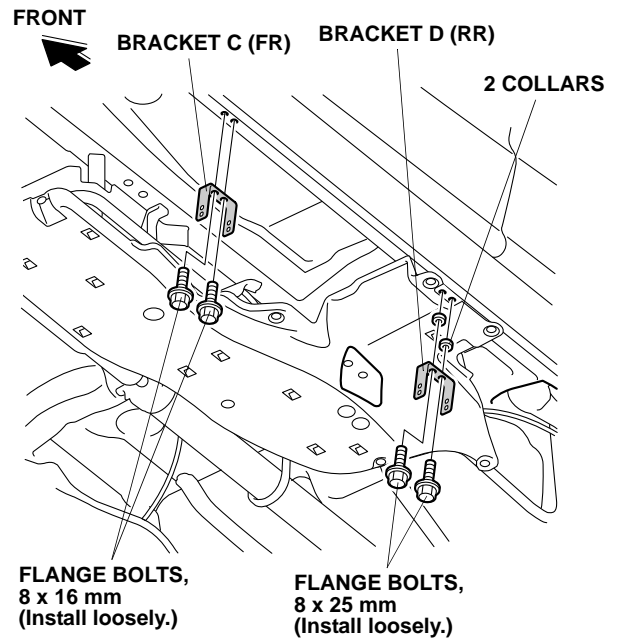


12. Enlarge two holes made in the right under cover in step 10 with a 30 mm hole saw. Remove any burrs.

13. Using an air saw, cut the right under cover as shown. Remove any burrs.

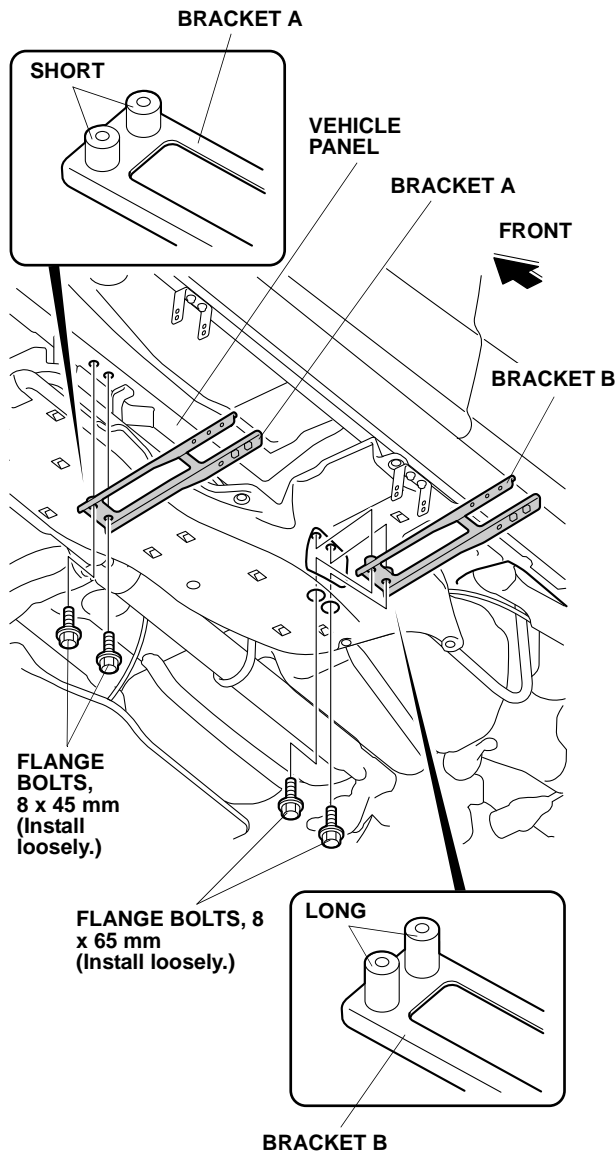


14. Reinstall the left and right under covers.
15. Secure a bracket C (FR) to the vehicle panel with two loosely-installed 8 x 16 mm flange bolts.

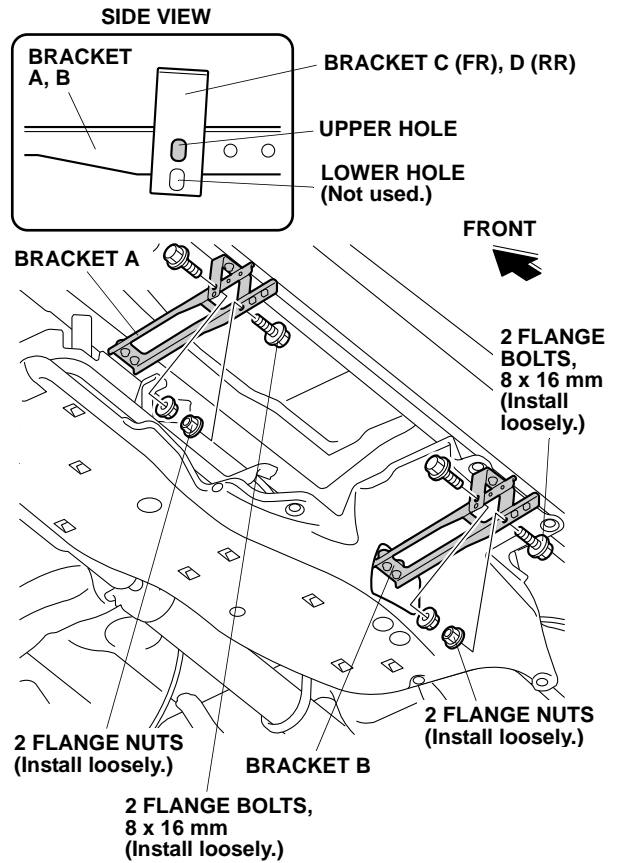


16. Secure a bracket D (RR) to the vehicle panel with two collars and two loosely-installed 8 x 25 mm flange bolts.

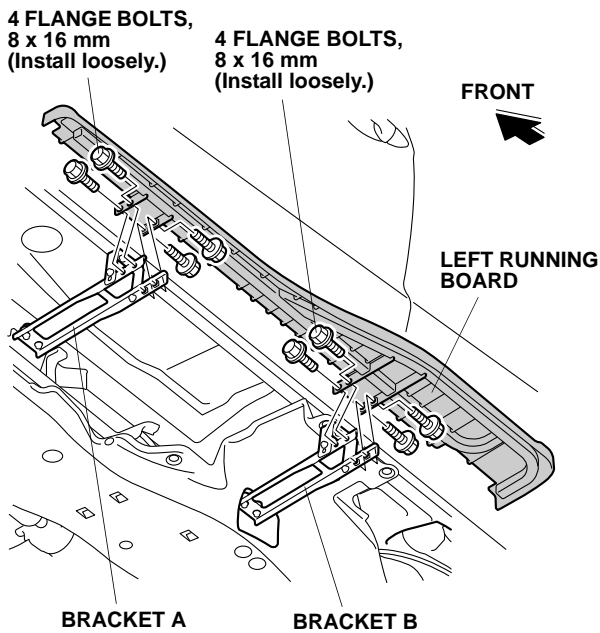
17. Secure a bracket A and a bracket B to the vehicle panel with two loosely-installed 8 x 45 mm flange bolts and two loosely-installed 8 x 65 mm flange bolts. Make sure the bracket A and bracket B are secured in the correct orientation.



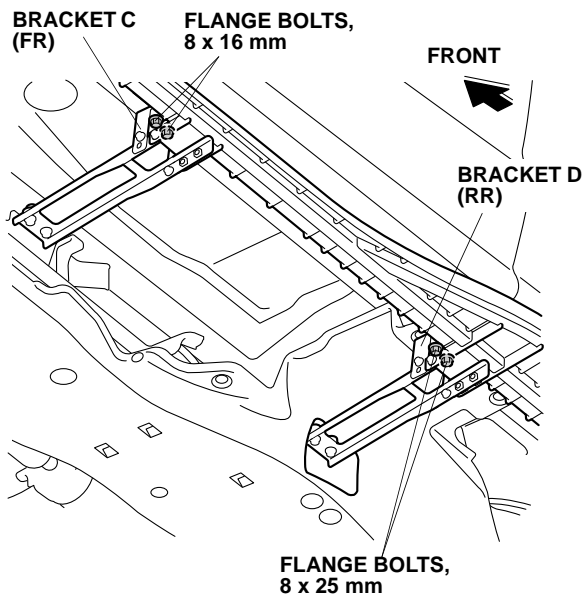
18. Secure bracket A and bracket B to bracket C (FR) and bracket D (RR) with four 8 x 16 mm flange bolts and four loosely-installed flange nuts. Use the upper holes in brackets C (FR) and D (RR).



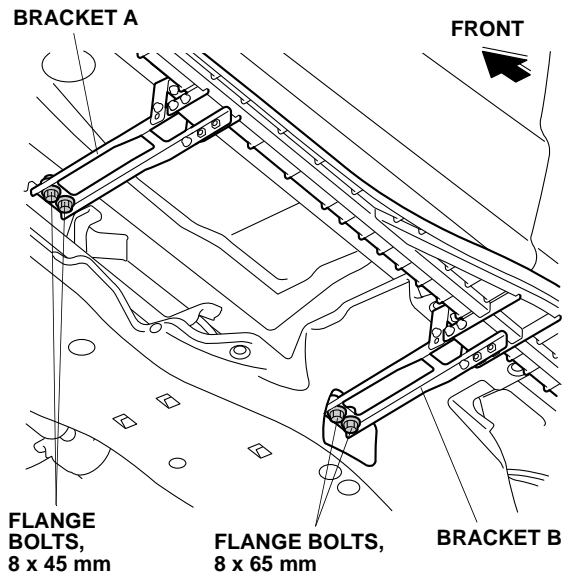
19. Secure the left running board to bracket A and bracket B with eight loosely-installed 8 x 16 mm flange bolts.  
NOTE: Have an assistant help you when installing the running board.



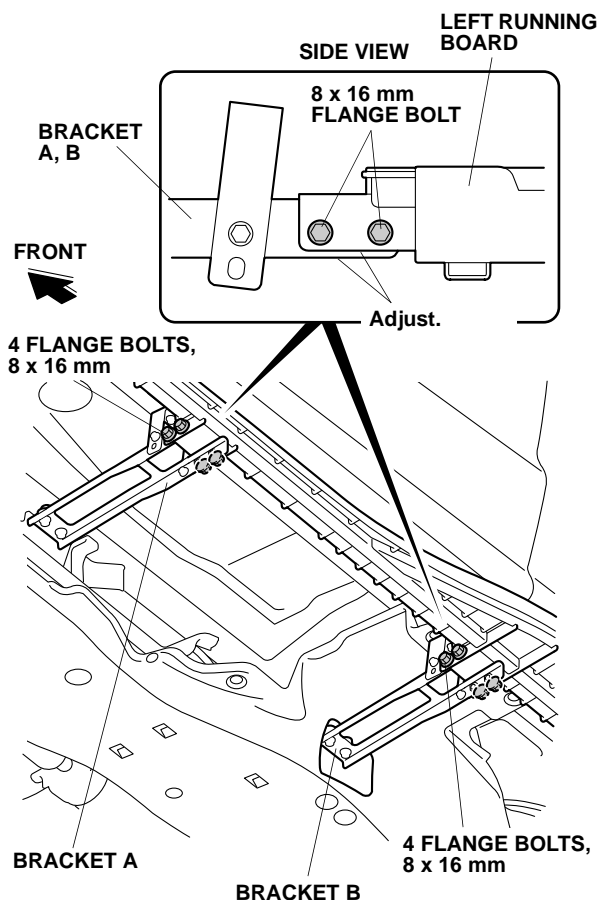
20. Tighten the flange bolts securing bracket C (FR) and bracket D (RR) to the vehicle panel. Torque the flange bolts to 22 N·m (16 lbf·ft).



21. Tighten the two 8 x 45 mm flange bolts and the two 8 x 65 mm flange bolts loosely-installed in step 17. Torque the flange bolts to 22 N·m (16 lbf·ft).

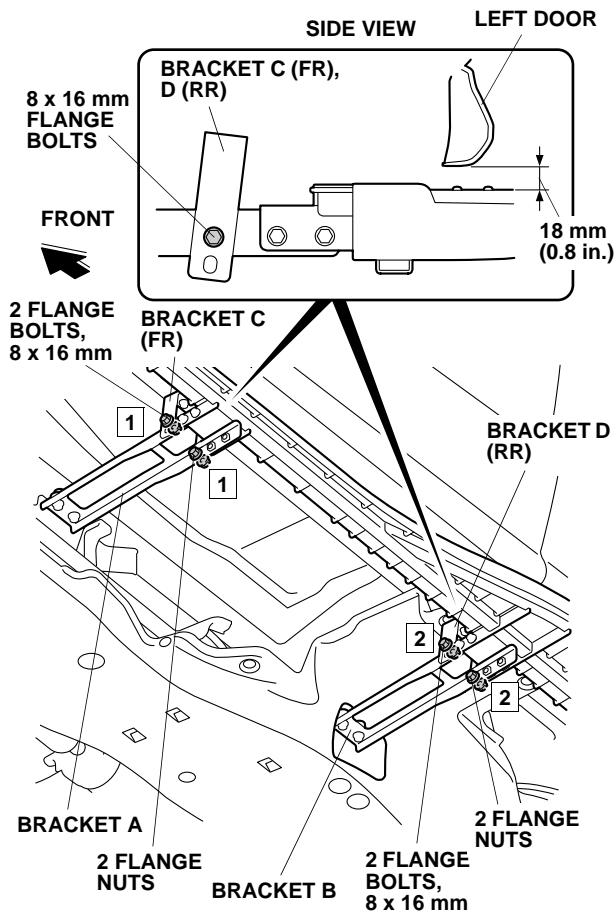


22. Adjust the left running board so it is parallel to the ground. Tighten the eight 8 x 16 mm flange bolts loosely-installed in step 19. Torque the flange bolts to 22 N·m (16 lbf·ft).

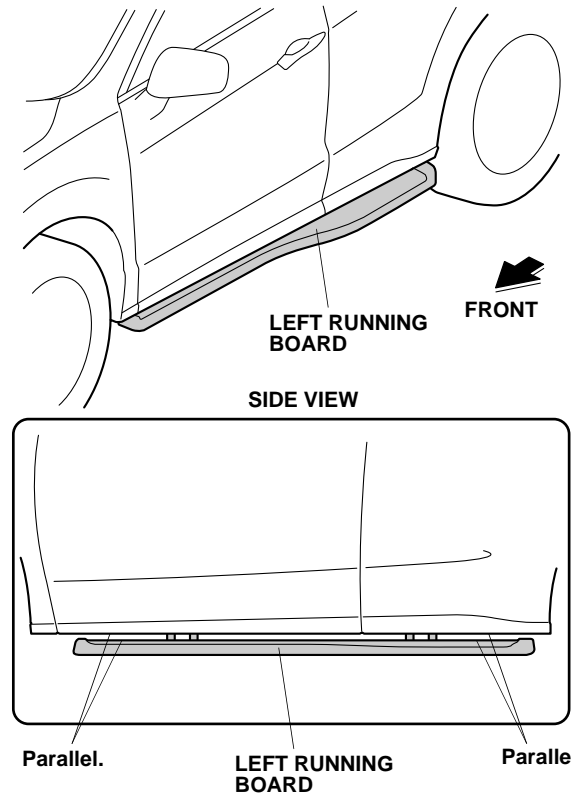




23. Adjust the position of the running board as shown. Tighten the four 8 x 16 mm flange bolts and four flange nuts loosely installed in step 18 in the order **1** → **2**. Torque the flange bolts to 22 N·m (2.2 kgf·m, 16 lbf·ft).



24. Visually check that the left running board is installed parallel to the vehicle.



25. Repeat steps 15 through 24 on the right side of the vehicle.